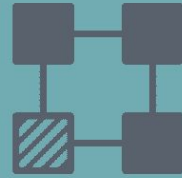
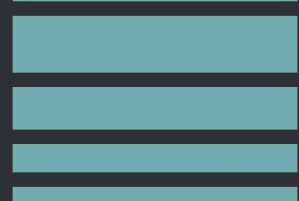


• SocialSensor

By StorkeAI



StorkeAI



OUR TEAM



Krishna Nanda
Team Lead



Renee Labutay
Scribe



Regina Weinreb



Alex Rasla



Raymond Deng

MENTORS



Lauren Hedberg



Caitlin Davis



Luan Vieira



Rachel Pham

1

THE PROBLEM

The Social Effects of ASD

- Core Symptoms of ASD within Social Situations

Understanding context in
social situations

Overwhelming sensory
inputs

Inability to read
non-verbal
communication cues.

2

OUR SOLUTION

A Video Conferencing Platform that Provides
Real-Time Sentiment Analysis

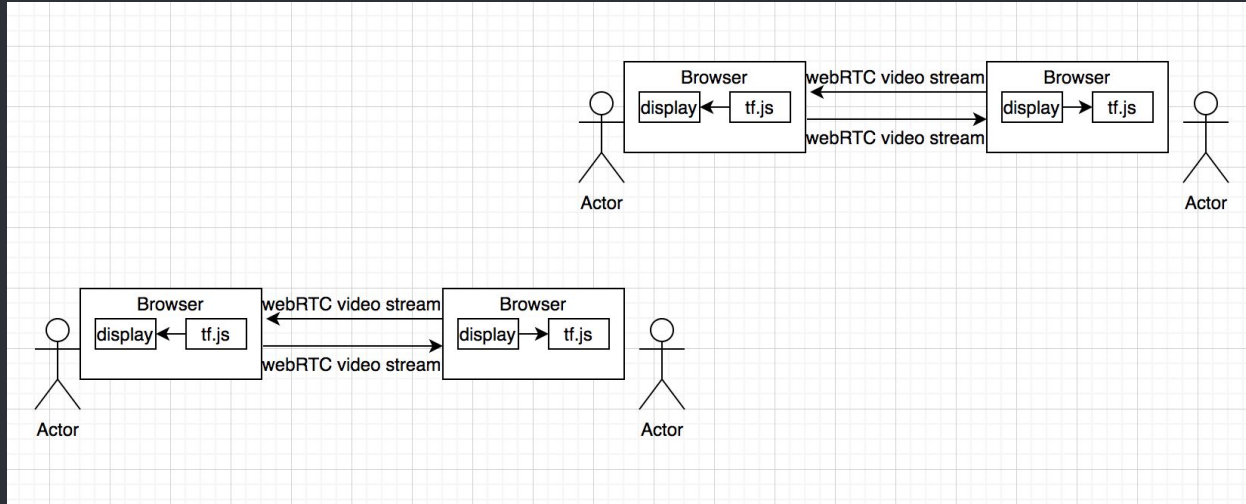
● SOCIALSENSOR OVERVIEW

○ **Provide real-time sentiment analysis**
using facial cues

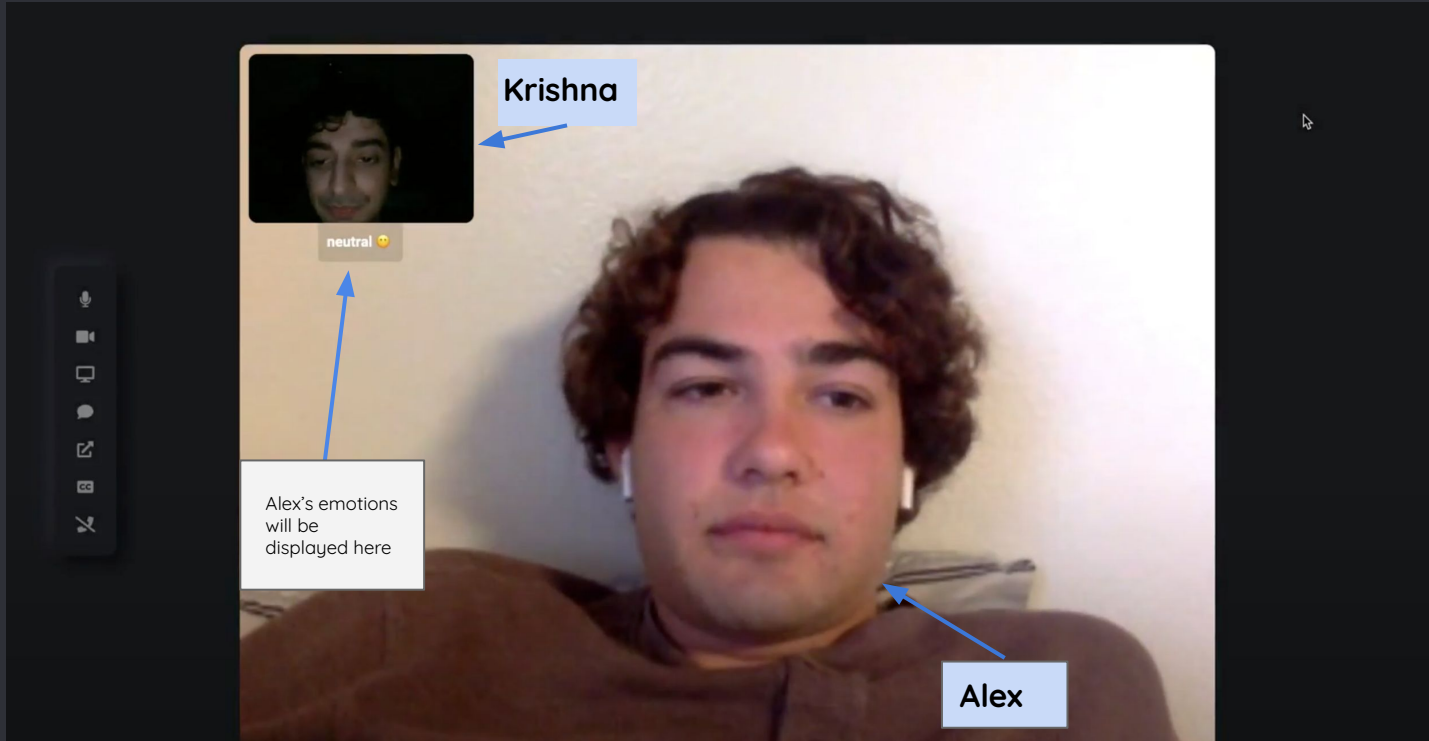
Generate post-call sentiment reports
as a retrospective learning tool

ASD Friendly Filters
to combat visual overstimulation

TECHNICAL DETAILS



DEMO





DEMO



● NOVELTY & CHALLENGES

○ NOVELTIES

- P2P
- Lightweight and decentralized
- In-browser
Tensorflow.js analysis
- Customizable chrome extensions for developers

CHALLENGES

- Accurate and real time sentiment model
- User testing and feedback
- Non-distracting, subtle UI design for ASD

3

NEXT STEPS

Our Plans for Winter Quarter

NEXT STEPS

Perform User Testing

Partner with the UCSB Autism Center and other non-profit organizations to perform user testing.

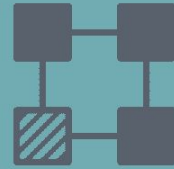
Configure Different Extensions

Users will be able to choose from several options to optimize their video call. Some options include a B/W video, blurred out background, etc.

Update UI

Improve the UI and ensure that this product reflects our team's goals.

Thank you!
ANY QUESTIONS?



StorkeAI